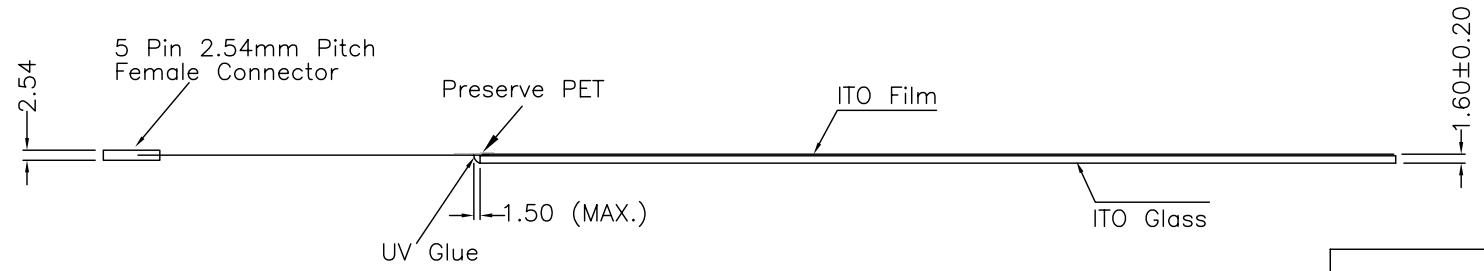
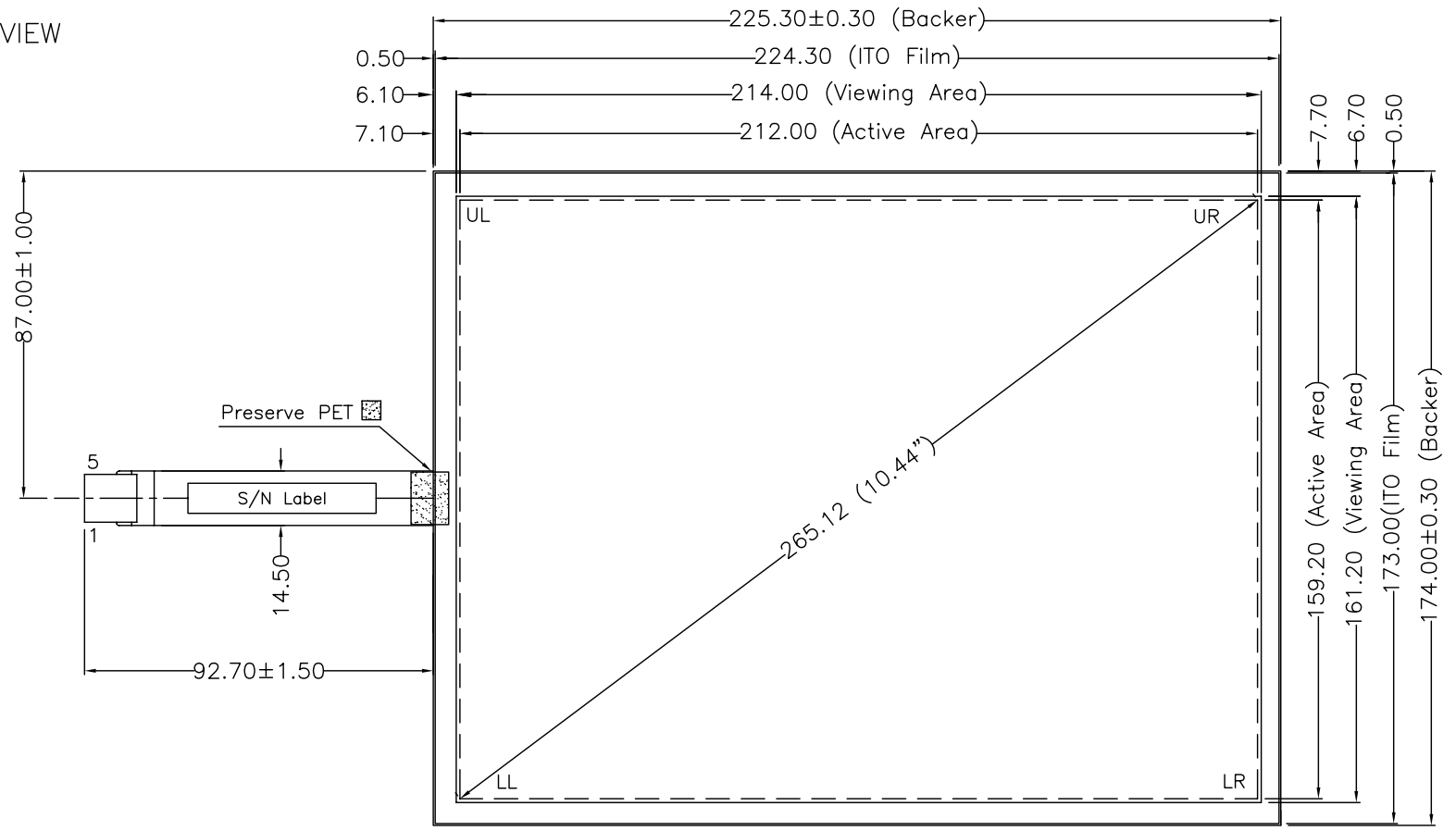


FRONT VIEW

Pin#	Assignment
1	LL
2	UL
3	S
4	LR
5	UR



NOTES:

1. ITO GLASS THICKNESS : 1.10mm
2. OVERALL THICKNESS : 1.60±0.20mm
3. CONNECTOR AND PINOUT AS INDICATED
4. FRONT SURFACE : ANTI-GLARE HARDCOAT
5. LAYER TO LAYER ASSEMBLY TOLERANCE: ±0.50mm
6. TAIL TYPE : IMMERSION GOLD PLATED FPC WITH AMP-C CONNECTOR
7. OTHER SPEC : SEE APPROVAL SHEET



NO.	DATE	DESCRIPTION	CHK
REVISION			
CHEF OF DESIGN		APPROVED	Alex
ENGINEER		PROJECT MANAGER	
DRAWN BY	Jerry	DATE	MAR 31 , 2009
SHT	1 OF 1	REV.	

Apex Material Technology Corp.

TOLERANCES UNLESS SPECIFIED		MODEL NAME : 2527
.X	± 0.50	DWG NO : 2527-0-011
.XX	± 0.50	
.XXX	± 0.30	SCALE: 1:1 UNIT: mm
ANGULAR	.	